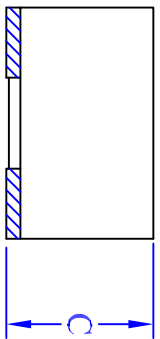
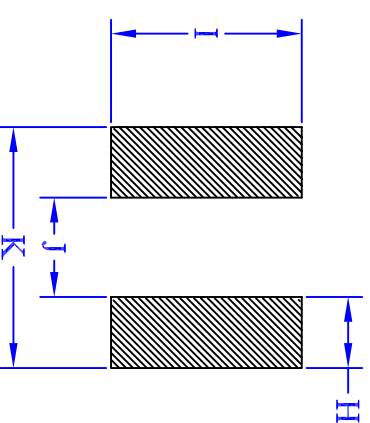


RECOMMENDED PCB LAYOUT

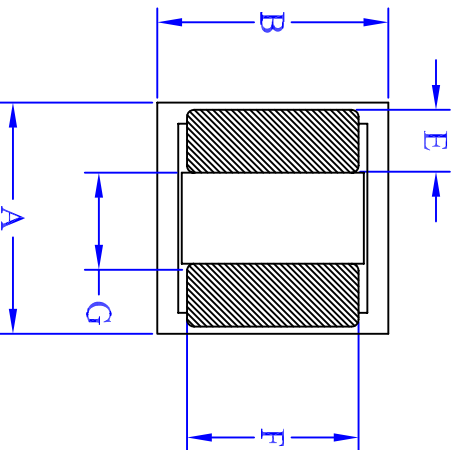
FRONT VIEW



Component View



BOTTOM VIEW



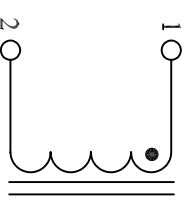
SIDE VIEW



DIMENSION TABLE

A: 3.5 ±0.3	G: 1.7 ref
B: 3.5 ±0.3	H: 1.2 ref
C: 2.4 max	I: 2.8 ref
E: 0.9 ref	J: 1.4 ref
F: 2.5 ref	K: 3.8 ref

SCHEMATIC



Notes:

1) All Dimensions are in millimeters unless otherwise specified.

This Document Subject To Change Without Notice.

Cooper Electronic Technologies
 3601 Quantum Boulevard, Boynton Beach, FL. 33426
Inductor Shielded SMD (SC24)
 Family Drawing

Size	Drawing Number:	SC24 Inductor Line
A	Revision Level:	A
		Sheet 3 of 4